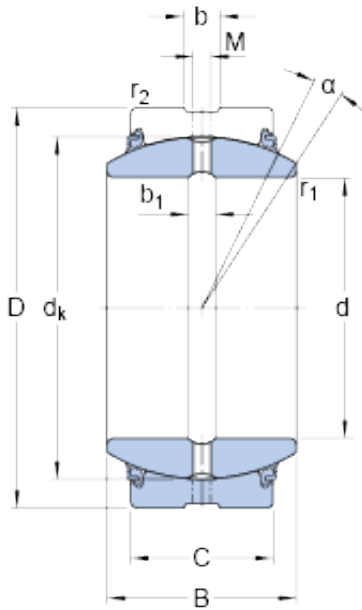




# SKF-SUDAMERICAN,S.A.

## 180 mm x 260 mm x 105 mm SKF GE 180 ES-2LS plain bearings

Bearing No. GE 180 ES-2LS



GE 180 ES-2LS Bearing 2D drawings and 3D CAD models

Size	260x180x105 mm
Bore Diameter	260 mm
Outer Diameter	180 mm
Width	105 mm
d	180 mm
D	260 mm
B	105 mm
C	80 mm
	6 °
d <sub>k</sub>	225 mm
b	13.5 mm
b <sub>1</sub>	13.5 mm
M	6 mm
r <sub>1</sub> - min.	1.1 mm
r <sub>2</sub> - min.	1.1 mm
d <sub>a</sub> - min.	191 mm
d <sub>a</sub> - max.	199 mm
D <sub>a</sub> - min.	224.5 mm
D <sub>a</sub> - max.	250.5 mm
r <sub>a</sub> - max.	1 mm
r <sub>b</sub> - max.	1 mm
Basic dynamic load rating - C	1530 kN
Basic static load rating - C <sub>0</sub>	7650 kN
Specific factor dinamic load - K	100 N/mm <sup>2</sup>



## SKF-SUDAMERICAN,S.A.

Specific factor static load - $K_0$	500 N/mm <sup>2</sup>
Constant - $K_M$	330
Lubricant	Regular relubrication – grease
Design (sliding contact surface combination)	Steel/steel
Sealing solution	Triple-lip seals
	6 °
$d_k$	225 mm
$b_1$	13.5 mm
$r_1$ min.	1.1 mm
$r_2$ min.	1.1 mm
$d_a$ min.	191 mm
$d_a$ max.	199 mm
$D_a$ min.	224.5 mm
$D_a$ max.	250.5 mm
$r_a$ max.	1 mm
$r_b$ max.	1 mm
Basic dynamic load rating C	1530 kN
Basic static load rating $C_0$	7650 kN
Specific dynamic load factor K	100 N/mm <sup>2</sup>
Specific static load factor $K_0$	500 N/mm <sup>2</sup>
Material constant $K_M$	330
Mass plain bearing	18.5 kg