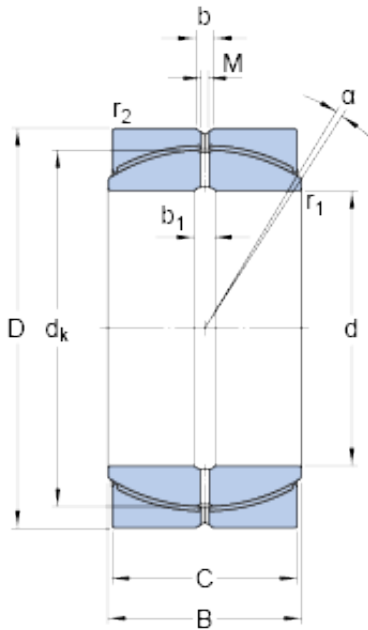




SKF-SUDAMERICAN,S.A.

850 mm x 1220 mm x 600 mm SKF GEP 850 FS plain bearings

Bearing No. GEP 850 FS



GEP 850 FS Bearing 2D drawings and 3D CAD models

Size	850x1220x600 mm
Bore Diameter	850 mm
Outer Diameter	1220 mm
Width	600 mm
d	850 mm
D	1220 mm
B	600 mm
C	565 mm
	2 °
d _k	1112 mm
b	35 mm
b ₁	35 mm
M	13 mm
r ₁ - min.	3 mm
r ₂ - min.	7.5 mm
d _a - min.	888 mm
d _a - max.	936 mm
D _a - min.	1035 mm
D _a - max.	1156 mm
r _a - max.	3 mm
r _b - max.	7.5 mm
Basic dynamic load rating - C	45000 kN
Basic static load rating - C ₀	67000 kN
Specific factor dinamic load - K	80 N/mm ²



SKF-SUDAMERICAN,S.A.

Specific factor static load - K_0	120 N/mm ²
Constant - K_M	1055
Size	1220x850x600 mm
Bore Diameter	1220 mm
Outer Diameter	850 mm
Width	600 mm
d	850 mm
D	1220 mm
B	600 mm
C	565 mm
	2 °
d_k	1112 mm
b	35 mm
b_1	35 mm
M	13 mm
r_1 - min.	3 mm
r_2 - min.	7.5 mm
d_a - min.	888 mm
d_a - max.	936 mm
D_a - min.	1035 mm
D_a - max.	1156 mm
r_a - max.	3 mm
r_b - max.	7.5 mm
Basic dynamic load rating - C	45000 kN
Basic static load rating - C_0	67000 kN
Specific factor dinamic load - K	80 N/mm ²
Specific factor static load - K_0	120 N/mm ²
Constant - K_M	1055



SKF-SUDAMERICAN,S.A.

Lubricant	Maintenance free – dry lubrication
Design (sliding contact surface combination)	Steel/PTFE FRP
Sealing solution	-
	2 °
d_k	1112 mm
b_1	35 mm
r_1 min.	3 mm
r_2 min.	7.5 mm
d_a min.	888 mm
d_a max.	936 mm
D_a min.	1035 mm
D_a max.	1156 mm
r_a max.	3 mm
r_b max.	7.5 mm
Basic dynamic load rating C	45000 kN
Basic static load rating C_0	67000 kN
Specific dynamic load factor K	80 N/mm ²
Specific static load factor K_0	120 N/mm ²
Material constant K_M	1055
Mass plain bearing	2600 kg