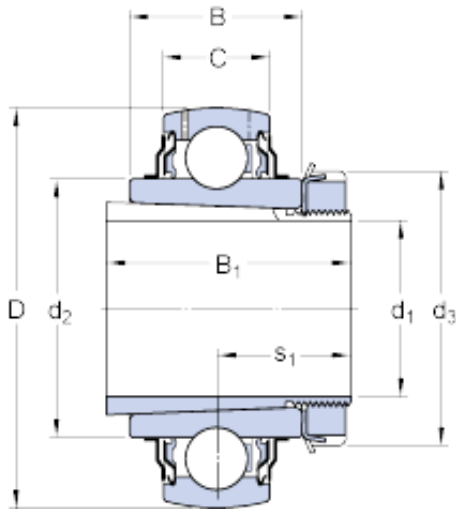




# SKF-SUDAMERICAN,S.A.

40 mm x 85 mm x 35 mm SKF YSA 209-2FK + H 2309 deep groove ball bearings

Bearing No. YSA 209-2FK + H 2309



YSA 209-2FK + H 2309 Bearing 2D drawings and 3D CAD models

Size	85x40x50 mm
Bore Diameter	85 mm
Outer Diameter	40 mm
Width	50 mm
$d_1$	40 mm
D	85 mm
$B_1$	50 mm
B	35 mm
C	22 mm
$d_2$	56.8 mm
$d_3$	65 mm
$s_1$ - ?	29 mm
Basic dynamic load rating - C	33.2 kN
Basic static load rating - $C_0$	21.6 kN
Fatigue load limit - $P_u$	0.915 kN
Limiting speed	4300 r/min
Calculation factor - $f_0$	14
d	40 mm
$B_1$	50 mm
$d_1$	56.8 mm
$d_3$	65 mm
$s_1$	29 mm
Basic dynamic load rating C	33.2 kN
Basic static load rating $C_0$	21.6 kN



## SKF-SUDAMERICAN,S.A.

Fatigue load limit $P_u$	0.915 kN
Limiting speed <sup>1)</sup>	4300 r/min
Calculation factor $f_0$	14
Mass bearing + adapter sleeve	0.84 kg
Associated spanner	HN 8-9
Recommended lock nut tightening angle	110 °