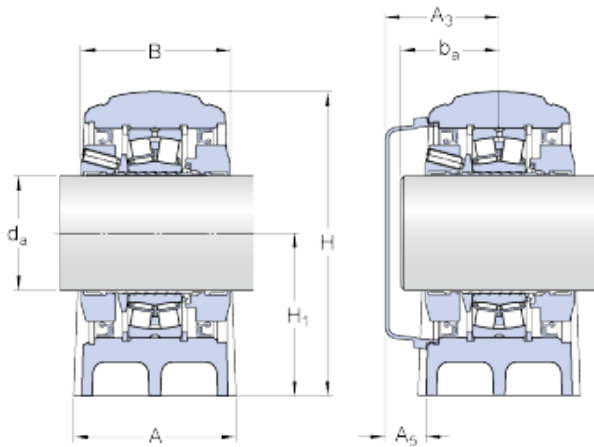




SKF-SUDAMERICAN,S.A.



SKF SYNT 35 FTF bearing units

Bearing No. SYNT 35 FTF

Size	35x60x65 mm
Bore Diameter	35 mm
Outer Diameter	60 mm
Width	65 mm
d_a	35 mm
A	60 mm
B	65 mm
H	111 mm
H_1	60 mm
H_2	25 mm
J	170 mm
L	205 mm
H	20 mm
N_1	15 mm
J_6	185 mm
J_7	21 mm
N_4 - max.	6 mm
A_3	50 mm
A_5	22 mm
b_a - min.	34 mm
b_a - max.	43 mm
Basic dynamic load rating - C	86.5 kN
Basic static load rating - C_0	85 kN
Fatigue load limit - P_u	9.3 kN

SYNT 35 FTF Bearing 2D drawings and 3D CAD models



SKF-SUDAMERICAN,S.A.

Limiting speed	2050 r/min
Calculation factor - e	0.31
Calculation factor - Y_1	2.2
Calculation factor - Y_2	3.3
Diameter - d_m	53.5 mm
Basic Designation bearing	22207 E
P_a	15 kN
P_{0°	150 kN
P_{55°	250 kN
P_{90°	150 kN
P_{120°	95 kN
P_{150°	85 kN
P_{180°	105 kN
Mass bearing unit	3.8 kg
d_a	35 mm
H_1	60 mm
H_2	25 mm
N	20 mm
N_1	15 mm
A_3	50 mm
A_5	22 mm
b_a min.	34 mm
b_a max.	43 mm
J_6	185 mm
J_7	21 mm
N_4 max.	6 mm
Basic dynamic load rating C	86.5 kN
Basic static load rating C_0	85 kN
Fatigue load limit P_u	9.3 kN
Calculation factor e	0.31
Calculation factor Y_1	2.2



SKF-SUDAMERICAN,S.A.

Calculation factor Y_2	3.3
Bearing mean diameter d_m	53.5 mm
Basic bearing designation	22207 E
P_0°	150 kN
P_{55°	250 kN
P_{90°	150 kN
P_{120°	95 kN
P_{150°	85 kN
P_{180°	105 kN
P_a	15 kN
Attachment bolt diameter G	12 mm
Tightening torque for attachment bolts	80 N · m
Grub screws	3 x M 6
Tightening torque for grub screws	8 N · m
Grease quantity for relubrication	3 g
End cover	ECY 207