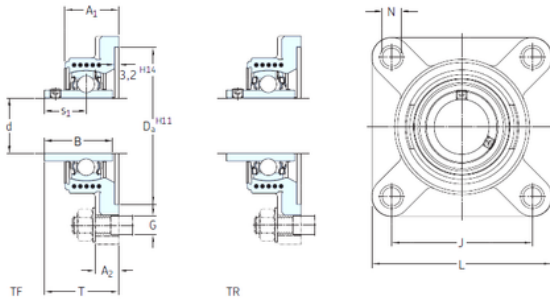




SKF-SUDAMERICAN,S.A.



SKF FYK 20 TF bearing units

Bearing No. FYK 20 TF

Bore Diameter	20 mm
d	20 mm
Da	68,3 mm
s1	18,3 mm
A1	30 mm
B	31 mm
G	10 mm
J	63,5 mm
L	86 mm
N	12 mm
T	37,3 mm
A2	15 mm
Weight	0,26 Kg
Basic dynamic load rating (C)	12,7 kN
Basic static load rating (C0)	6,55 kN
Fatigue load limit (Pu)	0,28
Category	Bearings
Inventory	0.0
Manufacturer Name	SKF
Minimum Buy Quantity	N/A
UNSPSC	31171501
Weight / Kilogram	0.263
EAN	7316571044590
Product Group	M06110
Housing material	Composite
D _a	68.3 mm

FYK 20 TF Bearing 2D drawings and 3D CAD models



SKF-SUDAMERICAN, S.A.

D_b	59 mm
A	30 mm
A_1	15 mm
A_3	3.2 mm
A_5	18.5 mm
s_1	18.3 mm
Basic dynamic load rating C	12.7 kN
Basic static load rating C_0	6.55 kN
Fatigue load limit P_u	0.28 kN
Limiting speed	8500 r/min
Mass bearing unit	0.26 kg
Thread grub screw G_2	M6x0.75
Hexagonal key size for grub screw N	3 mm
Recommended tightening torque for grub screw	4 N · m
Recommended diameter for attachment bolts, mm G	10 mm
Recommended diameter for attachment bolts, inch G	0.375 in
Housing	FYK 504
Bearing	YAR 204-2F
End cover	ECY 204