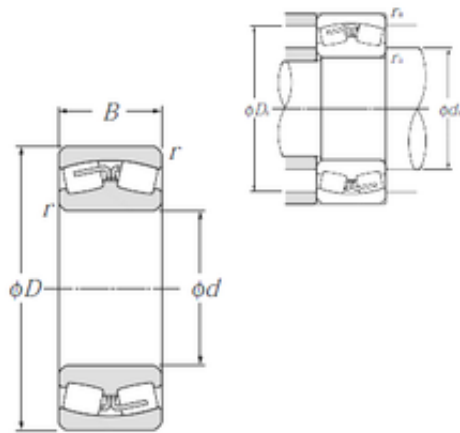




23120B NTN Spherical Roller Bearings



Bearing No. 23120B

Size	100x165x52 mm
Bore Diameter	100 mm
Outer Diameter	165 mm
Width	52 mm
d	100 mm
D	165 mm
B	52 mm
C	52 mm
r min.	2 mm
da min.	110 mm
Da max.	155 mm
ra max.	2 mm
Weight	4,3 Kg
Basic dynamic load rating (C)	310 kN
Basic static load rating (C0)	470 kN
(Grease) Lubrication Speed	2 000 r/min
(Oil) Lubrication Speed	2 600 r/min
Calculation factor (e)	0,32
Calculation factor (Y0)	2,07
Calculation factor (Y1)	2,12

23120B Bearing 2D drawings and 3D CAD models